



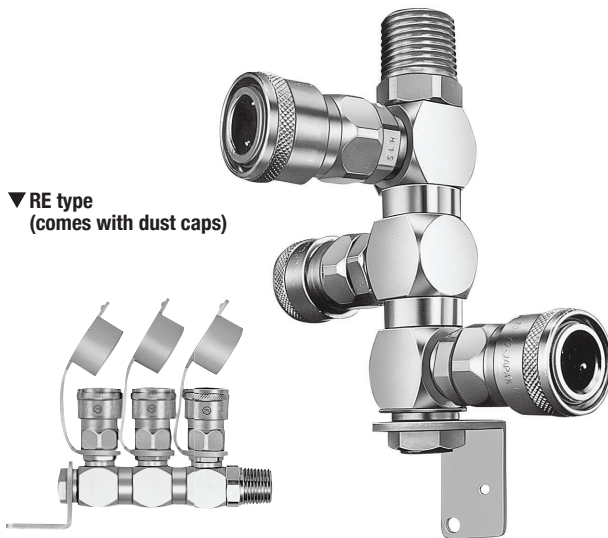
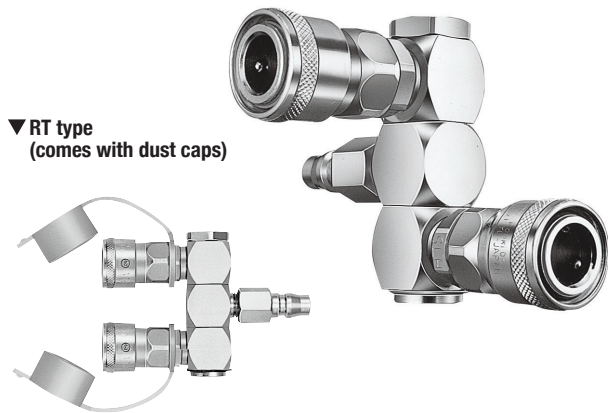
# ROTARY LINE CUPLA

Simple design air line couplings on free turn manifold

Working pressure <b>1.5</b> 1.5 MPa {15 kgf/cm <sup>2</sup> }	Valve structure  One-way shut-off	Applicable fluid  Air
--	--	--

Each air outlet can be turned freely to any angle independently.

- Multiple outlets are available from single air supply source.
- Sideway air outlets are rotatable to any angle. Possible hose twists can be eliminated by the component couplings' swivel mechanism.
- Choose either RT type (2 outlets) or RE type (3 outlets) to suit your application.




Specifications				
Body material	Body : Brass (Chrome plated), CUPLA : Steel (Chrome plated)			
Model	RT Type (for two branch lines)		RE Type (for three branch lines)	
Size	Inlet	HI CUPLA Plug 20PF	Inlet	R 1/2
	Outlet	2 sockets for HI CUPLA Model 20	Outlet	3 sockets for HI CUPLA Model 20
Pressure unit	MPa	kgf/cm <sup>2</sup>	bar	PSI
Working pressure	1.5	15	15	218
Seal material	Seal material	Mark	Working temperature range	Remarks
Working temperature range	Nitrile rubber	NBR (SG)	-20°C to +60°C	Standard material

\* The products come with dust caps.

Maximum Tightening Torque (RE Type)		Nm {kgf·cm}
Size (Thread)	1/2"	
Torque	30 {306}	

**Fluid Flow Direction**

Fluid must run from the inlet port to the outlet ports.



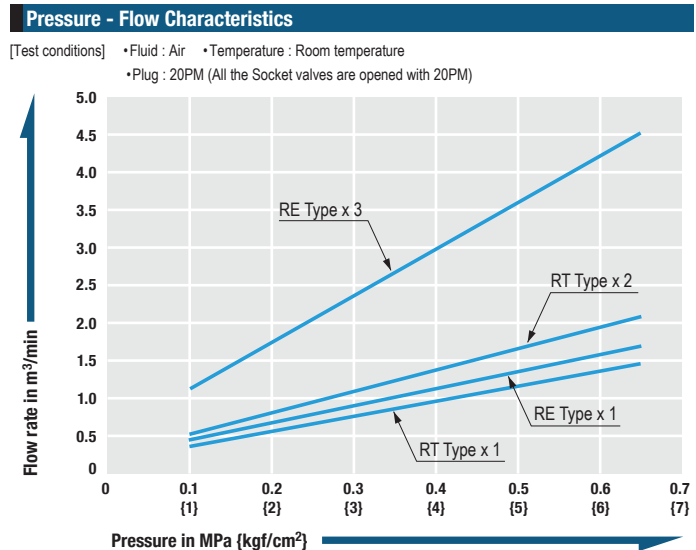
**Interchangeability**

Interchangeable with plugs of HI CUPLA models 10, 17, 20, 30 and 40.  
Interchangeable with each models of NUT CUPLA series and HI CUPLA series.  
Please see [page 19](#) for "HI CUPLA Series Interchangeability".

Minimum Cross-Sectional Area (mm <sup>2</sup> )		
Model	RT type	RE type
Minimum cross-sectional area	33	

**Suitability for Vacuum**

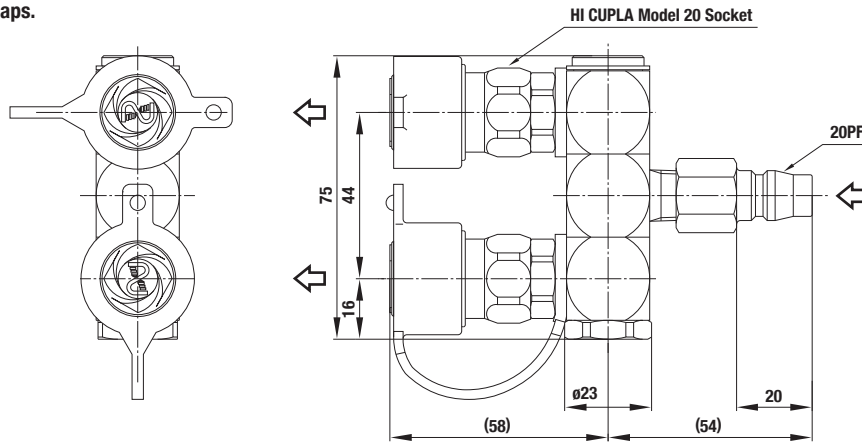
Not suitable for vacuum application in either connected or disconnected condition.



**Socket RT type (For two outlets)**

Mass : 490 g

- Fluid must run in the direction of the arrow.
- The product comes with dust caps.

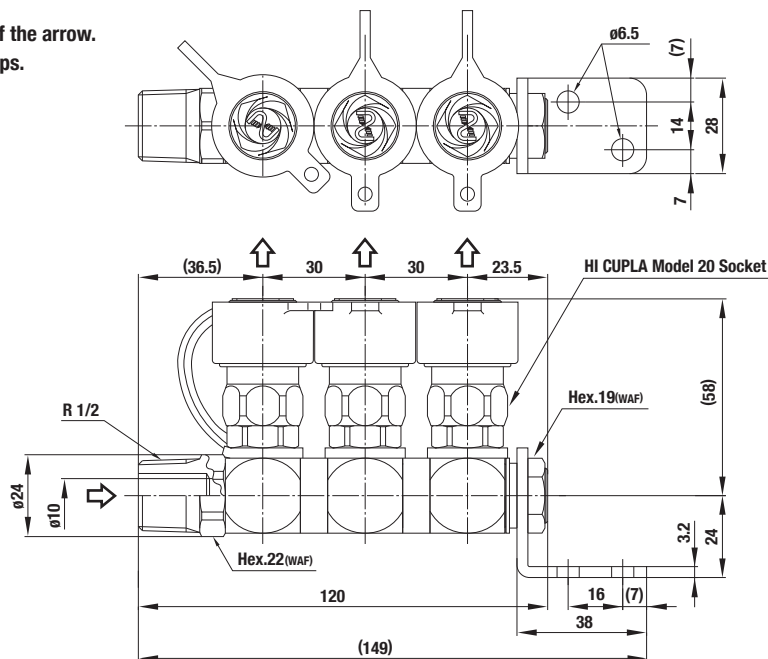


Dimensions (mm)

**Socket RE type (For three outlets)**

Mass : 660 g

- Fluid must run in the direction of the arrow.
- The product comes with dust caps.



Dimensions (mm)

**Application Example**



Air line manifold